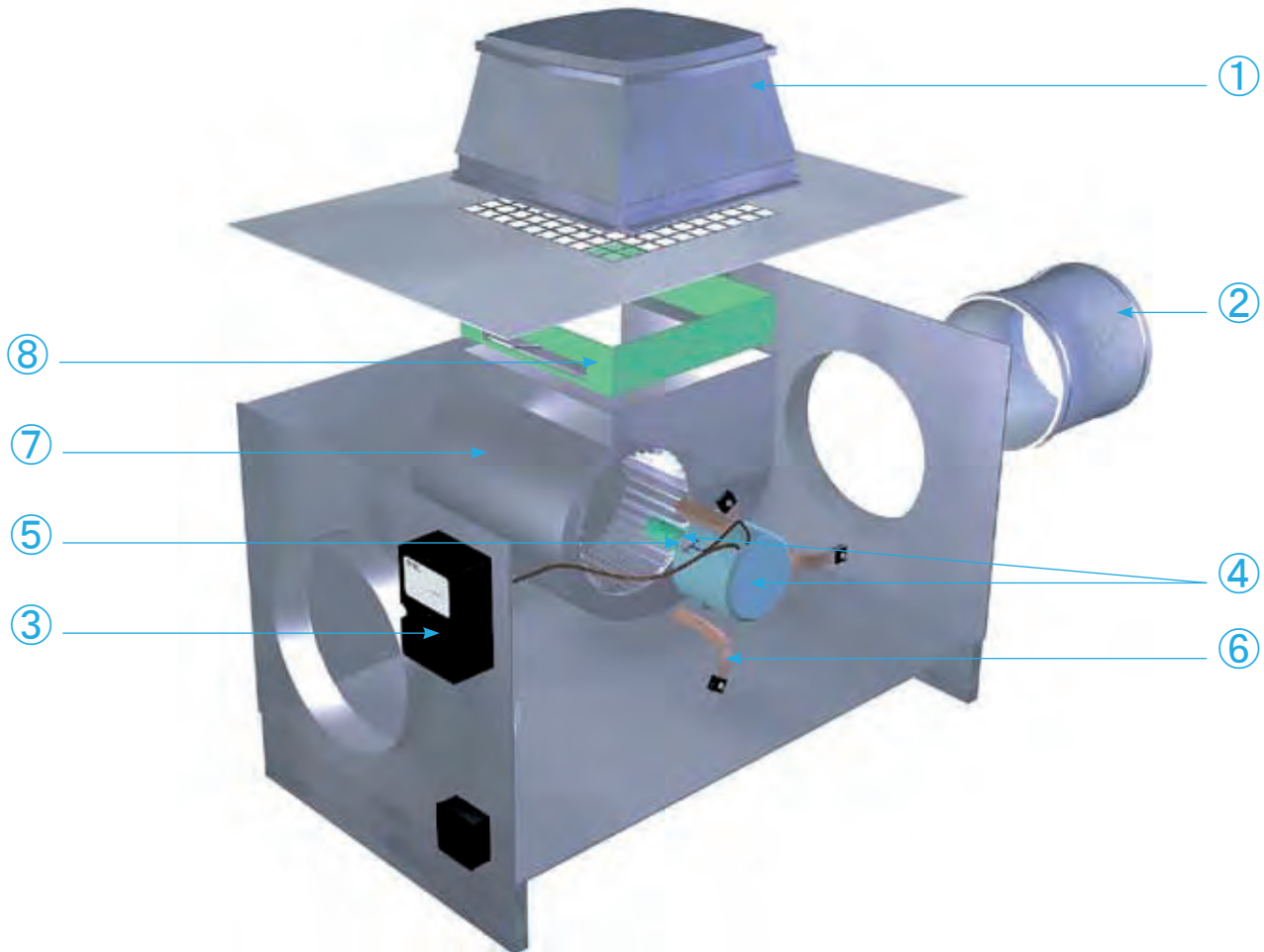


C.VEC

C.VEC 750, 1500 and 2500



Ref.	Description	C.VEC 750	C.VEC 1500	C.VEC 2500	C.VEC 750 AB	C.VEC 1500 AB
1	M0 discharge sleeve	Ø260 - 11056120	Ø400* - 11025075	Ø500* - 11025072	Ø260 - 11056120	Ø400 - 11025075
2	M0 suction sleeve	Ø250 - 11025065	Ø315 - 11025066	Ø400 - 11025067	Ø250 - 11025065	Ø315 - 11025066
3	M/A IP 65 switch + box	11056084	11056084	11056084		
4	Motor (+ cable and capacitor)	11056085	11056082	11056083	11025089	11025093
5	Capacitor	4 µF - 11086064	4 µF - 11086064	8 µF - 11086258	1 µF - 11186030 2 µF - 11086018	6 µF - 11086161
6	Motor leg kit (pack of 3)		11025096	11025038	11025096	11025038
7	Fan sub-assembly (casing+wheel+screws)	Without motor 11056089	With motor 11056098	With motor 11056099	Without motor 11056089	With motor 11025237
8	Recycling sub-assembly		11056121	11056122		

*with frame

Reference	Description	Code
16	80 (Pa) fixed pressure switch kit	11025018
17	Adjustable pressure switch kit	11025009
18	Electrical connection box / pressure switch	11034383
	Pressure switch timer	11025012

